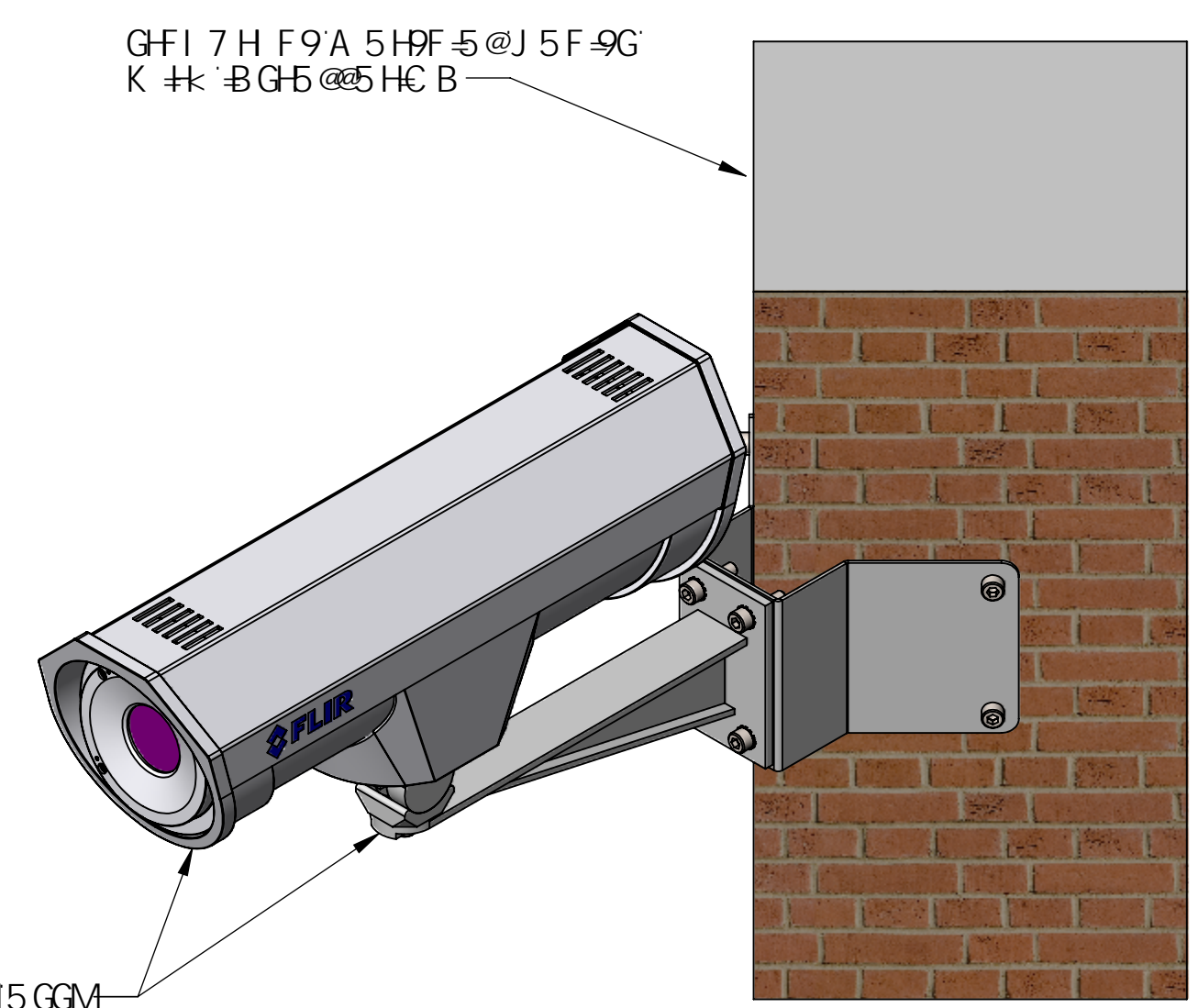
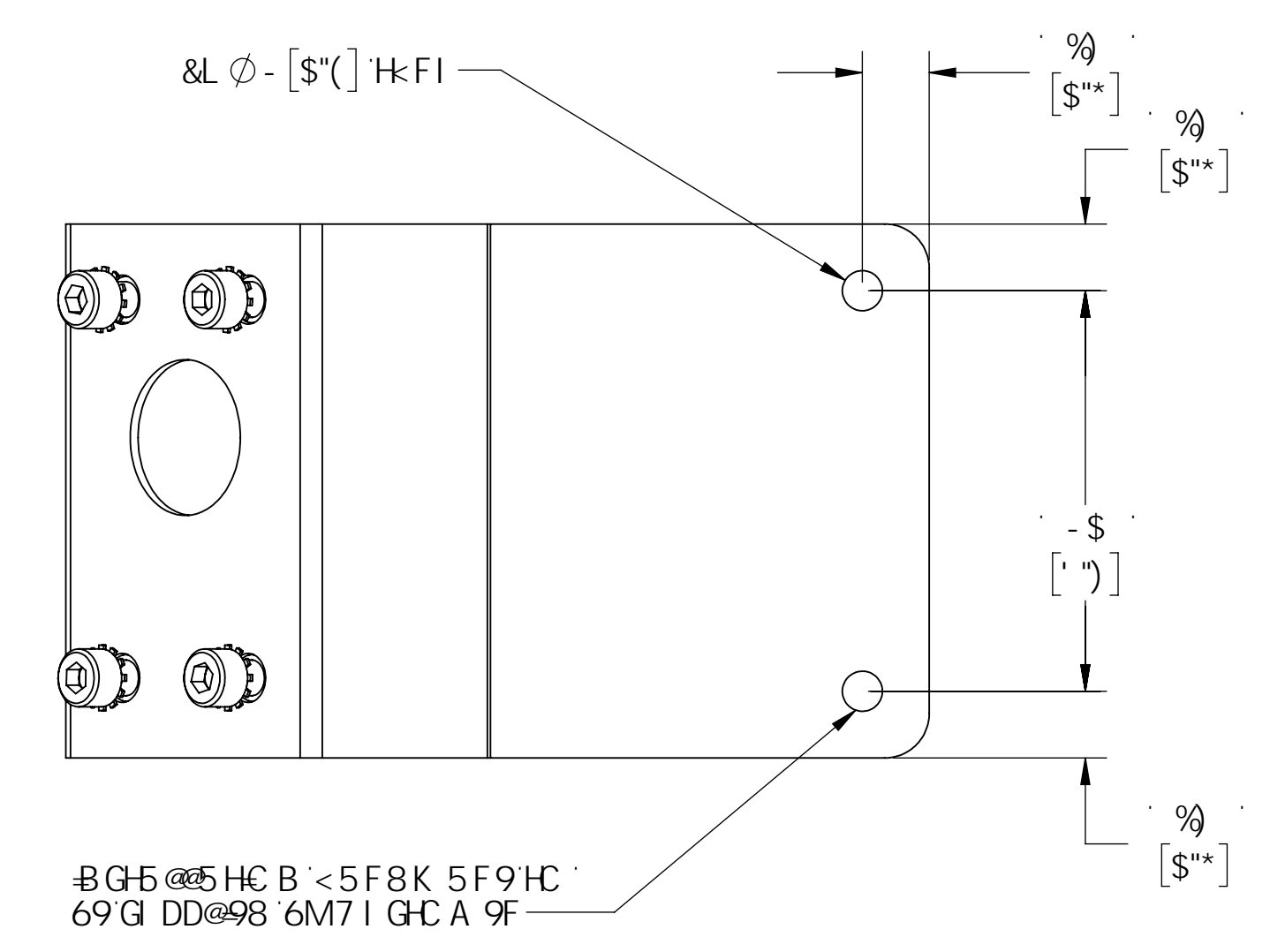
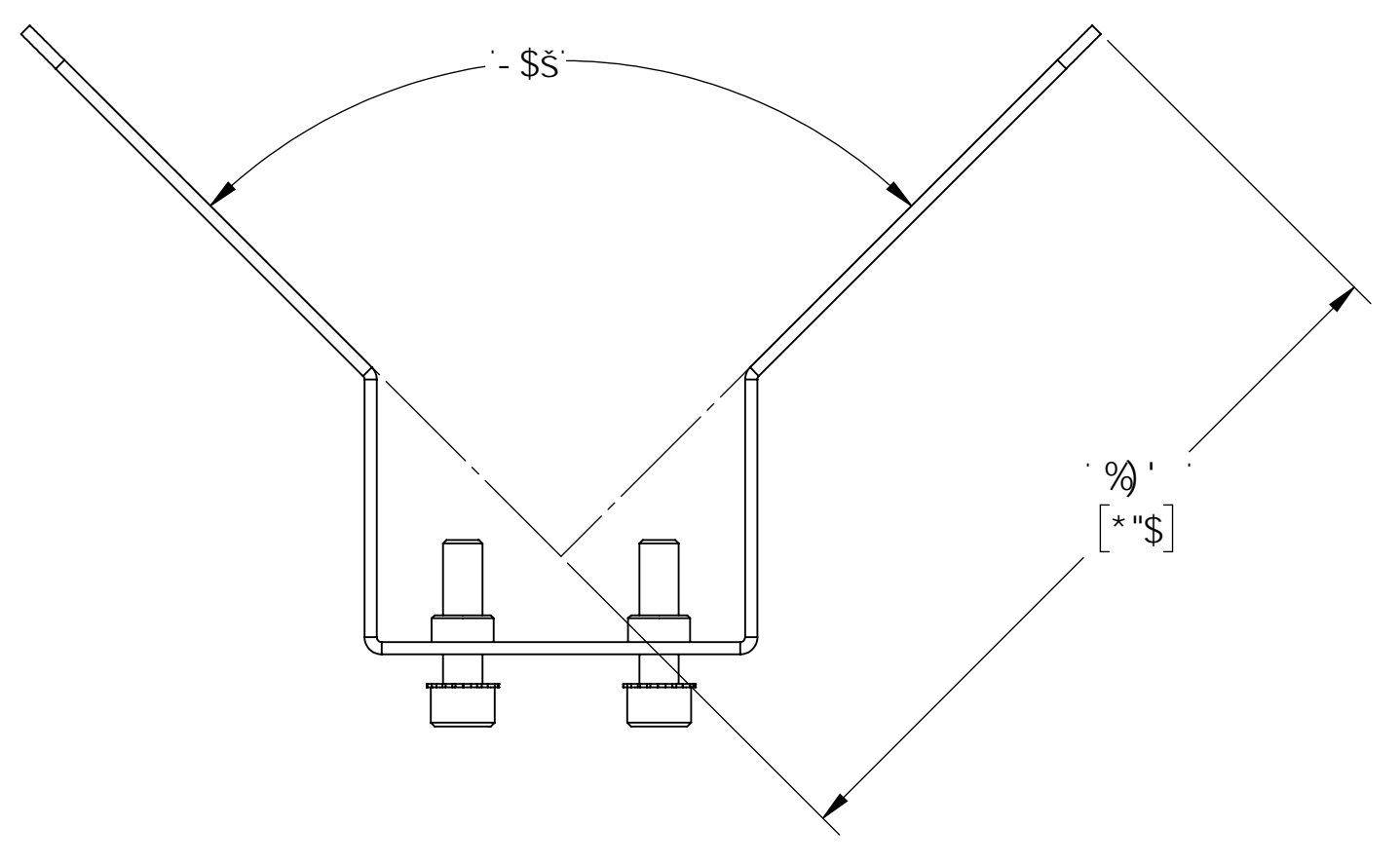


<5F8K 5F9G-CK B 56CJ 9-B7@ 898'K K# 6cA +9A Bc"%  
f(&%) \*- ( 7CFB9F A CI BH585DH9F !: !G9F-9CL



!G9F-9G5B8'K 5@A CI BH5GGM  
G<-CK B : C F F9: 9F9B7 9CB@M  
A 5HG8-F97 HMK #k :K 5@A CI BH  
5GGM! : !G9F-9GfDB ) \$\$!%%& !\$\$L



#GH5@5HC B <5F8K 5F9HC  
69G DD@98 6M7 I GHC A 9F

%	( &%) *- (	7cfbYfA ci bh5XUdhYf! : !GyfYg	%
E HM	D5FHBI A 69F	8 9G7 F-9HC B	+9A

**7cfbYf'A ci bh5ggm  
: !GyfYg**

METRIC

7cfbYf'A ci bh5ggm! : !GyfYg  
fDB ) \$\$!%%!\$\$L  
-BG5@5HC B

DFCDF-9H5 FM! : @F'GMGH9AGZ-B7"

VP@/OUWT 0PVAU0UPVUUS00AUAS0/A00PBU0Y0A0X0S0A0P00U0T 0V0P/0UPV000A0P0  
OU0WT 0PVAU0UV00U0U0A0W0S0AW0J0U0U0W0N0U0P0VU0SS000U0U0YU0U0V0Y0P00YU0U0V0  
0ET 00VU00P0A00W0S00P0U000000000U0P00U0VU0U0Y0U0A0U00Y0 A0U0U0P00000E  
WU00000VT 0PVAU00UT T 00000WPU00000P000U0V0U0W0000U0U0A0YU0U0V0U0A0U0000U0A  
0U000P0A000U0P0U0A000U0W0P00U0A0VP00Y 00A0U0P00000E

FLIR	SIZE D	CAGE 064Y2	PIECE PART	REV 5
SCALE	%	PRINTED: ) #&- #&\$%	SHEET - OF %	

SOLIDWORKS MODEL: 500-1119-00 Corner Mount Assy - F-Series  
MODEL REVISION: 5